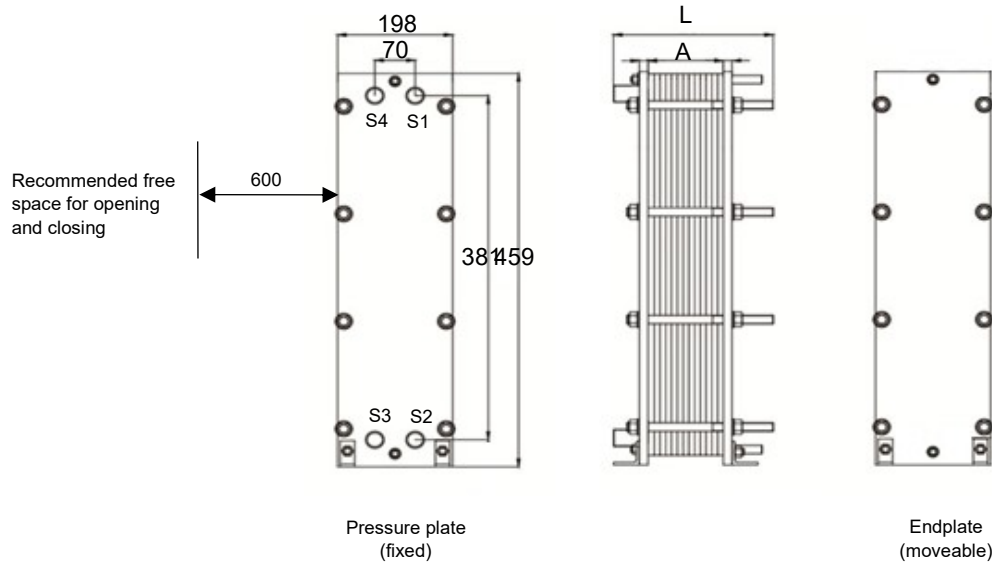


SAFEPLATE MV3



All dimensions in mm.
Changes reserved without prior notice.

Type	Max. number of plates (0,5 mm)	L [mm]	Max. working temperature	Max. working pressure	Connections	Materials
MV3	15 21 31 39 63	120 155 205 255 305	115°C (NBR) 160°C (EpdM)	10 bar, 16 bar	Threaded DN32	AISI304 AISI316 (standard) Titanium

* The A-measure depends on the number of plates and will be given at delivery.

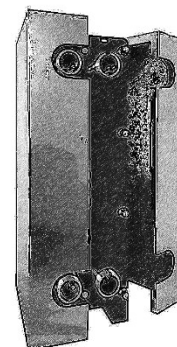
Position of connections

Number of passes		Circuit 1		Circuit 2	
		In	Out	In	Out
1 pass/1pass	S	S4	S1	S2	S3
	A	S1	S4	S3	S2
Pair	S	T3	S4	S3	T4
	A	S4	T3	T4	S3
Odd	S	T3	S1	S2	T4
	A	S1	T3	T4	S2

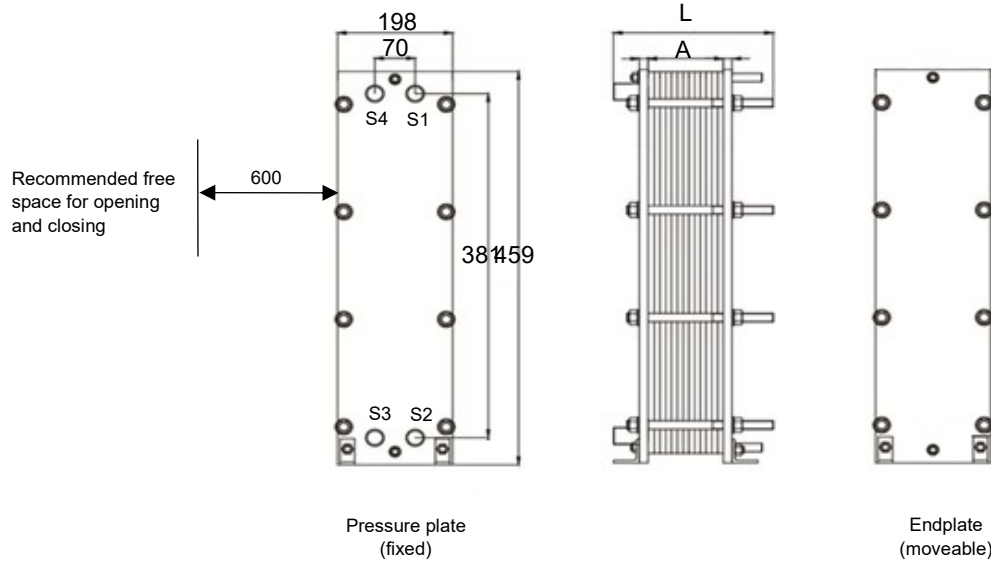
S1 to S4: Connections on front (fixed mount)
T1 to T4: Connections on the rear panel (mobile frame)
S: standard - A: other possibility

Insulation

Shell material	: Galvanized metal
Insulation material	: Rockwool
Thickness	: 30 mm
Thermal conductivity	: 0,043 W/mK
Maximum temperature	: 200°C



SAFEPLATE MV7



All dimensions in mm.
Changes reserved without prior notice.

Type	Max. number of plates (0,5 mm)	L [mm]	Max. working temperature	Max. working pressure	Connections	Materials
MV7	11	250	115°C (NBR)	10 bar, 16 bar	Threaded DN32	AISI304 AISI316 (standard) Titanium
	19	300	160°C (EpdM)			
	29	350				
	39	400				
	49	450				
	67	550				
	87	650				
	133	750				

* The A-measure depends on the number of plates and will be given at delivery.

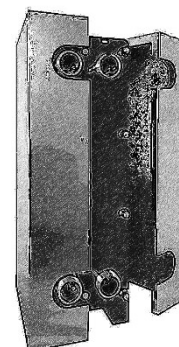
Position of connections

Number of passes		Circuit 1		Circuit 2	
		In	Out	In	Out
1 pass/1pass	S	S4	S1	S2	S3
	A	S1	S4	S3	S2
Pair	S	T3	S4	S3	T4
	A	S4	T3	T4	S3
Odd	S	T3	S1	S2	T4
	A	S1	T3	T4	S2

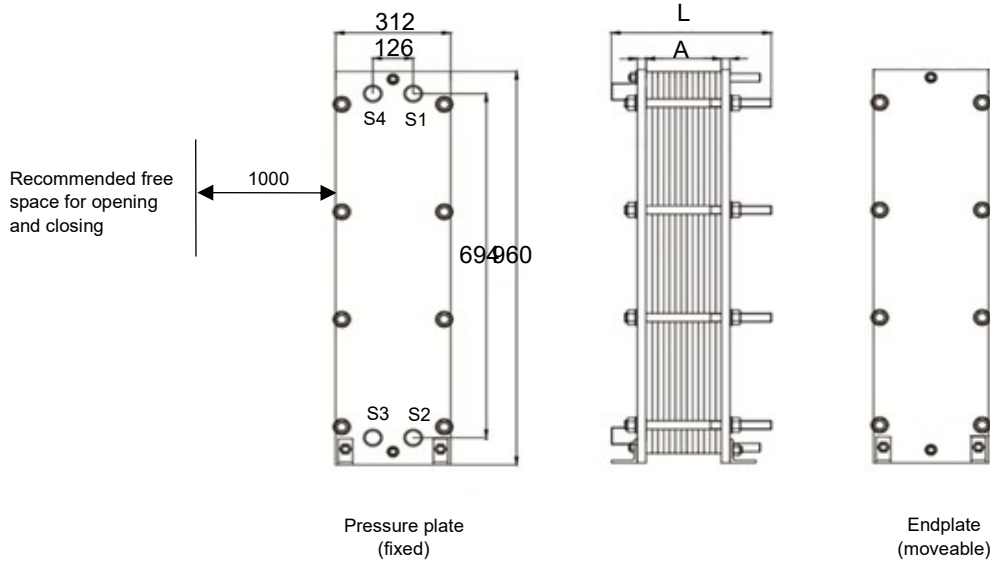
S1 to S4: Connections on front (fixed mount)
T1 to T4: Connections on the rear panel (mobile frame)
S: standard - A: other possibility

Insulation

Shell material	: Galvanized metal
Insulation material	: Rockwool
Thickness	: 30 mm
Thermal conductivity	: 0,043 W/mK
Maximum temperature	: 200°C



SAFEPLATE MV9



All dimensions in mm.
Changes reserved without prior notice.

Type	Max. number of plates (0,5 mm)	L [mm]	Max. working temperature	Max. working pressure	Connections	Materials
MV9	67	390	115°C (NBR)	6, 10, 16 bar	DN65 studded DN65 lined	AISI304 AISI316 (standard) Titanium
	109	610	160°C (EpdM)			
	135	750				
	205	900				

* The A-measure depends on the number of plates and will be given at delivery.

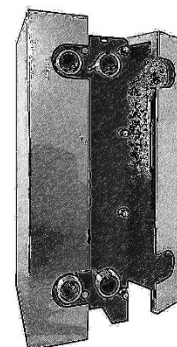
Position of connections

Number of passes		Circuit 1		Circuit 2	
		In	Out	In	Out
1 pass/1pass	S	S4	S1	S2	S3
	A	S1	S4	S3	S2
Pair	S	T3	S4	S3	T4
	A	S4	T3	T4	S3
Odd	S	T3	S1	S2	T4
	A	S1	T3	T4	S2

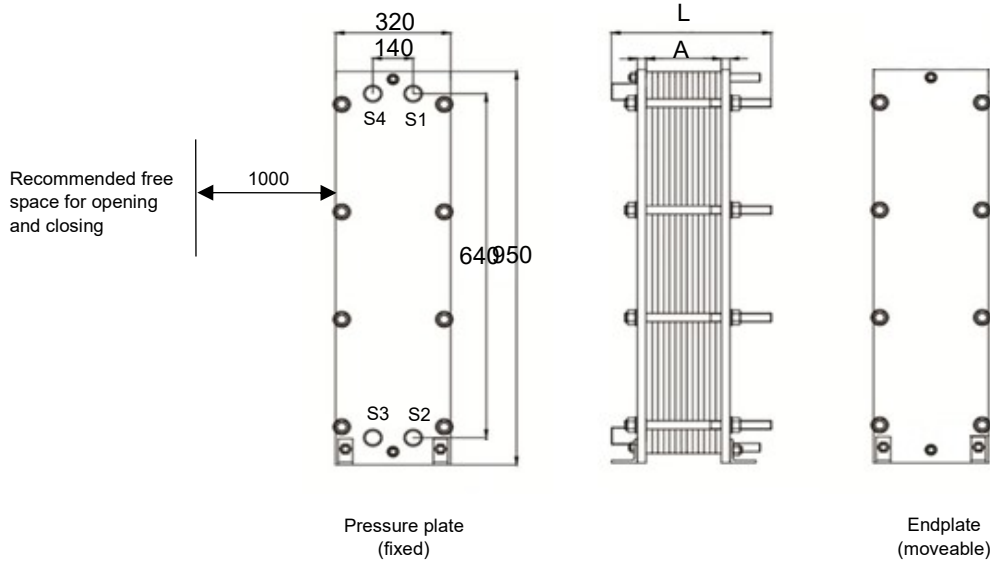
S1 to S4: Connections on front (fixed mount)
T1 to T4: Connections on the rear panel (mobile frame)
S: standard - A: other possibility

Insulation

Shell material	: Galvanized metal
Insulation material	: Rockwool
Thickness	: 30 mm
Thermal conductivity	: 0,043 W/mK
Maximum temperature	: 200°C



SAFEPLATE MX8



All dimensions in mm.
Changes reserved without prior notice.

Type	Max. number of plates (0,5 mm)	L [mm]	Max. working temperature	Max. working pressure	Connections	Materials
MX8	79	390	115°C (NBR)	6, 10, 16 bar	DN65 studded DN65 lined	AISI304 AISI316 (standard) Titanium
	127	610	160°C (EpdM)			
	157	750				
	239	900				

* The A-measure depends on the number of plates and will be given at delivery.

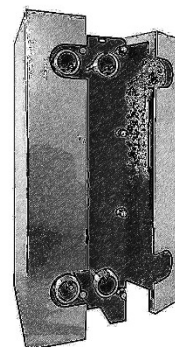
Position of connections

Number of passes		Circuit 1		Circuit 2	
		In	Out	In	Out
1 pass/1pass	S	S4	S1	S2	S3
	A	S1	S4	S3	S2
Pair	S	T3	S4	S3	T4
	A	S4	T3	T4	S3
Odd	S	T3	S1	S2	T4
	A	S1	T3	T4	S2

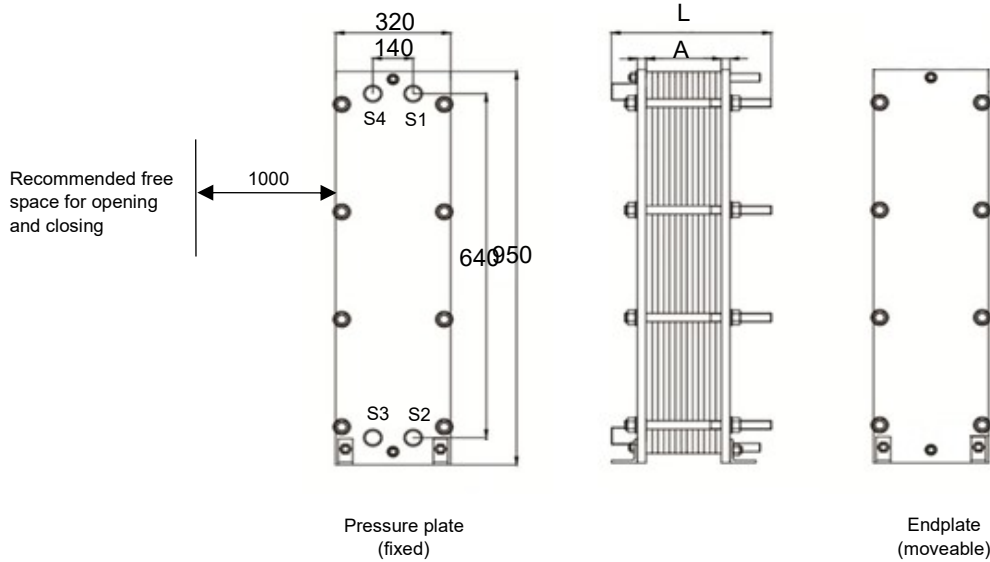
S1 to S4: Connections on front (fixed mount)
T1 to T4: Connections on the rear panel (mobile frame)
S: standard - A: other possibility

Insulation

Shell material	: Galvanized metal
Insulation material	: Rockwool
Thickness	: 30 mm
Thermal conductivity	: 0,043 W/mK
Maximum temperature	: 200°C



SAFEPLATE MX10



All dimensions in mm.
Changes reserved without prior notice.

Type	Max. number of plates (0,5 mm)	L [mm]	Max. working temperature	Max. working pressure	Connections	Materials
MX10	55	390	115°C (NBR)	6, 10, 16 bar	DN65 studded DN65 lined	AISI304 AISI316 (standard) Titanium
	87	610	160°C (EpdM)			
	109	750				
	165	900				

* The A-measure depends on the number of plates and will be given at delivery.

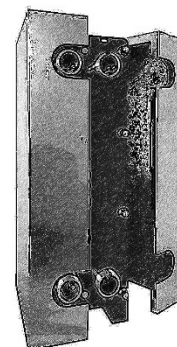
Position of connections

Number of passes		Circuit 1		Circuit 2	
		In	Out	In	Out
1 pass/1pass	S	S4	S1	S2	S3
	A	S1	S4	S3	S2
Pair	S	T3	S4	S3	T4
	A	S4	T3	T4	S3
Odd	S	T3	S1	S2	T4
	A	S1	T3	T4	S2

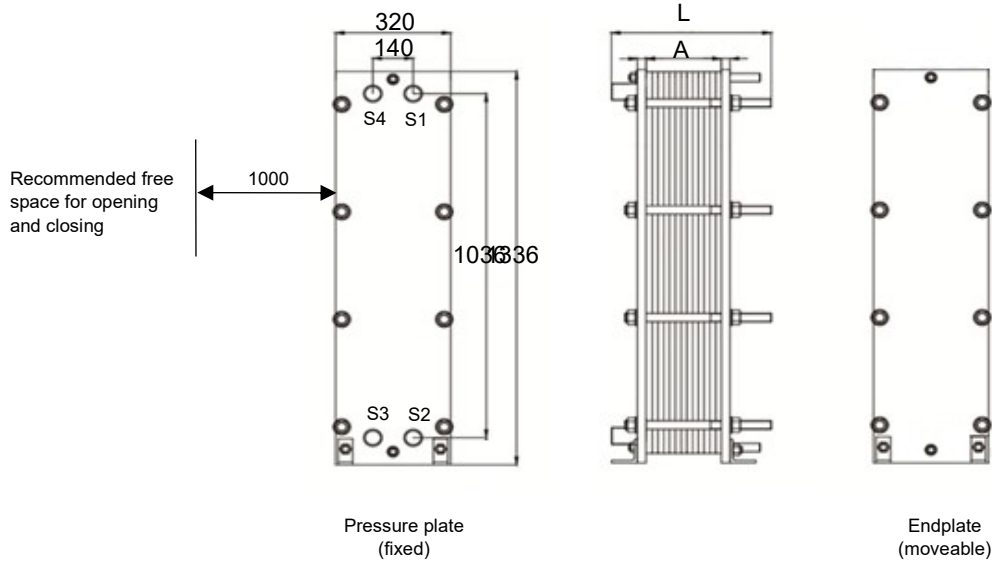
S1 to S4: Connections on front (fixed mount)
T1 to T4: Connections on the rear panel (mobile frame)
S: standard - A: other possibility

Insulation

Shell material	: Galvanized metal
Insulation material	: Rockwool
Thickness	: 30 mm
Thermal conductivity	: 0,043 W/mK
Maximum temperature	: 200°C



SAFEPLATE MX11



All dimensions in mm.
Changes reserved without prior notice.

Type	Max. number of plates (0,5 mm)	L [mm]	Max. working temperature	Max. working pressure	Connections	Materials
MX11	69	390	115°C (NBR)	6, 10, 16 bar	DN65 studded DN65 lined	AISI304 AISI316 (standard) Titanium
	111	610	160°C (EpdM)			
	139	750				
	211	900				

* The A-measure depends on the number of plates and will be given at delivery.

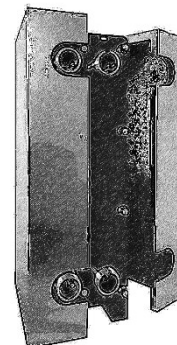
Position of connections

Number of passes		Circuit 1		Circuit 2	
		In	Out	In	Out
1 pass/1pass	S	S4	S1	S2	S3
	A	S1	S4	S3	S2
Pair	S	T3	S4	S3	T4
	A	S4	T3	T4	S3
Odd	S	T3	S1	S2	T4
	A	S1	T3	T4	S2

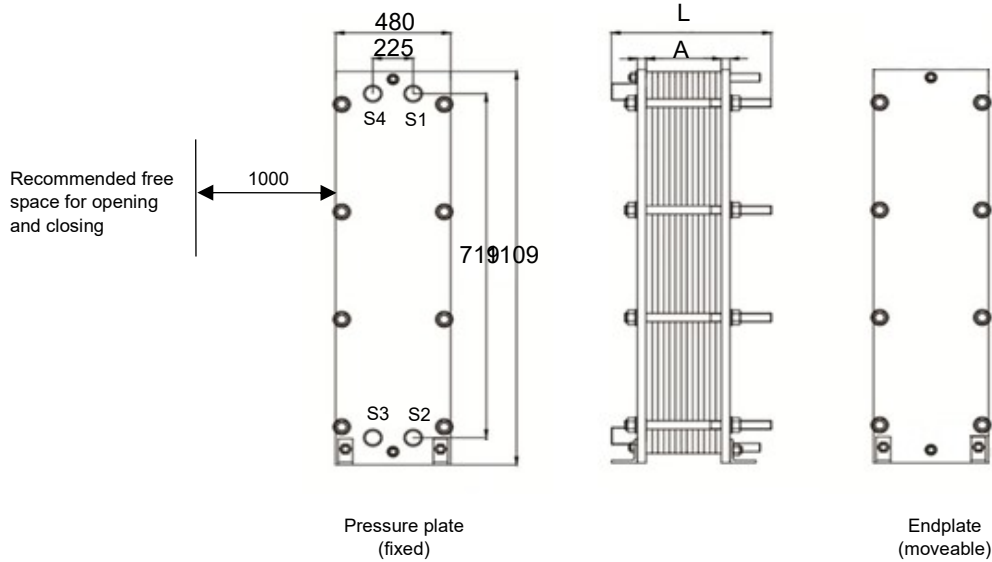
S1 to S4: Connections on front (fixed mount)
T1 to T4: Connections on the rear panel (mobile frame)
S: standard - A: other possibility

Insulation

Shell material	: Galvanized metal
Insulation material	: Rockwool
Thickness	: 30 mm
Thermal conductivity	: 0,043 W/mK
Maximum temperature	: 200°C



SAFEPLATE MV20



All dimensions in mm.
Changes reserved without prior notice.

Type	Max. number of plates (0,5 mm)	L [mm]	Max. working temperature	Max. working pressure	Connections	Materials
MV20	200	695 - 2400	115°C (NBR) 160°C (EpdM)	6, 10, 16 bar	DN100 studded DN100 lined	AISI304 AISI316 (standard) Titanium

* The A-measure depends on the number of plates and will be given at delivery.

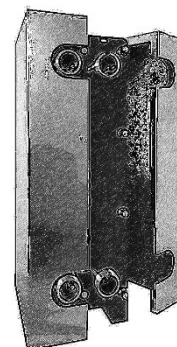
Position of connections

Number of passes		Circuit 1		Circuit 2	
		In	Out	In	Out
1 pass/1pass	S	S4	S1	S2	S3
	A	S1	S4	S3	S2
Pair	S	T3	S4	S3	T4
	A	S4	T3	T4	S3
Odd	S	T3	S1	S2	T4
	A	S1	T3	T4	S2

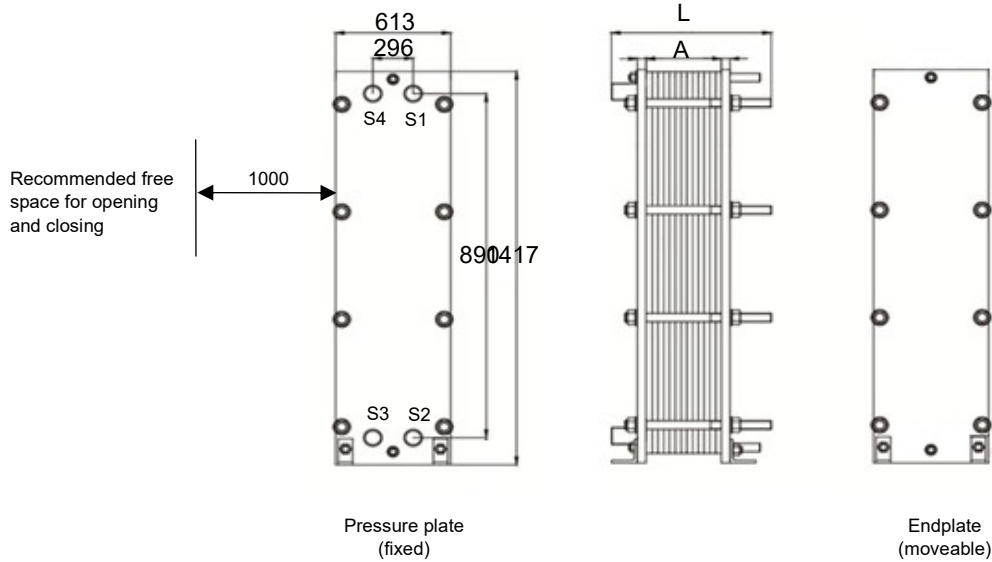
S1 to S4: Connections on front (fixed mount)
T1 to T4: Connections on the rear panel (mobile frame)
S: standard - A: other possibility

Insulation

Shell material : Galvanized metal
 Insulation material : Rockwool
 Thickness : 30 mm
 Thermal conductivity : 0,043 W/mK
 Maximum temperature : 200°C



SAFEPLATE MV40



All dimensions in mm.
Changes reserved without prior notice.

Type	Max. number of plates (0,5 mm)	L [mm]	Max. working temperature	Max. working pressure	Connections	Materials
MV40	200	1100 - 3700	115°C (NBR) 160°C (EpdM)	6, 10, 16 bar	DN150 studded DN150 lined	AISI304 AISI316 (standard) Titanium

* The A-measure depends on the number of plates and will be given at delivery.

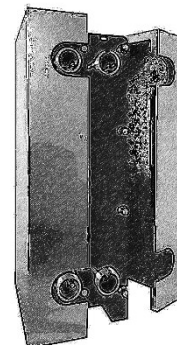
Position of connections

Number of passes		Circuit 1		Circuit 2	
		In	Out	In	Out
1 pass/1pass	S	S4	S1	S2	S3
	A	S1	S4	S3	S2
Pair	S	T3	S4	S3	T4
	A	S4	T3	T4	S3
Odd	S	T3	S1	S2	T4
	A	S1	T3	T4	S2

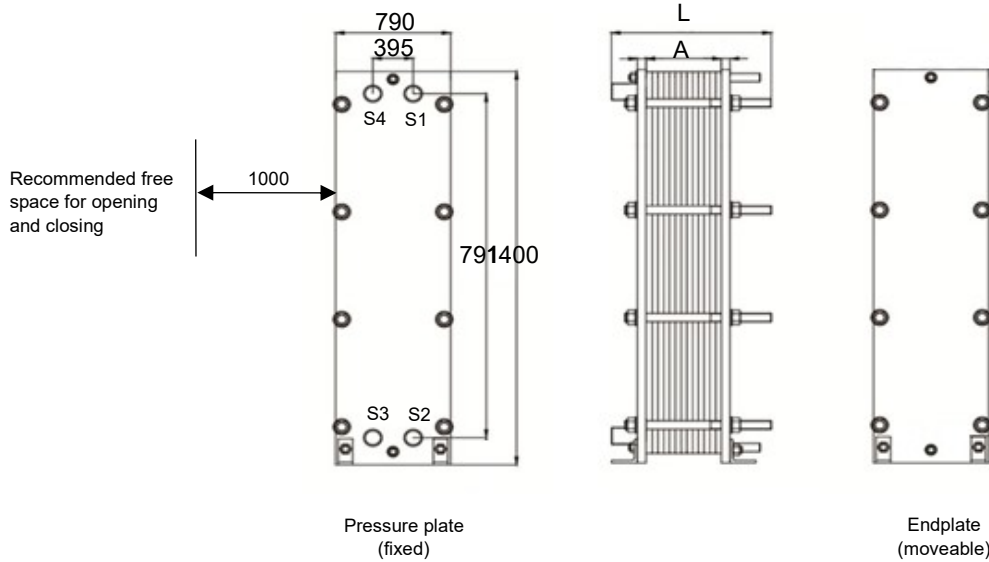
S1 to S4: Connections on front (fixed mount)
T1 to T4: Connections on the rear panel (mobile frame)
S: standard - A: other possibility

Insulation

Shell material	: Galvanized metal
Insulation material	: Rockwool
Thickness	: 30 mm
Thermal conductivity	: 0,043 W/mK
Maximum temperature	: 200°C



SAFEPLATE MV92



All dimensions in mm.
Changes reserved without prior notice.

Type	Max. number of plates (0,5 mm)	L [mm]	Max. working temperature	Max. working pressure	Connections	Materials
MV92	250	600 - 6000	115°C (NBR) 160°C (EpdM)	10, 16, 25 bar	DN200 studded DN200 lined	AISI304 AISI316 (standard) Titanium

* The A-measure depends on the number of plates and will be given at delivery.

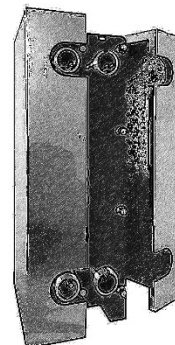
Position of connections

Number of passes		Circuit 1		Circuit 2	
		In	Out	In	Out
1 pass/1pass	S	S4	S1	S2	S3
	A	S1	S4	S3	S2
Pair	S	T3	S4	S3	T4
	A	S4	T3	T4	S3
Odd	S	T3	S1	S2	T4
	A	S1	T3	T4	S2

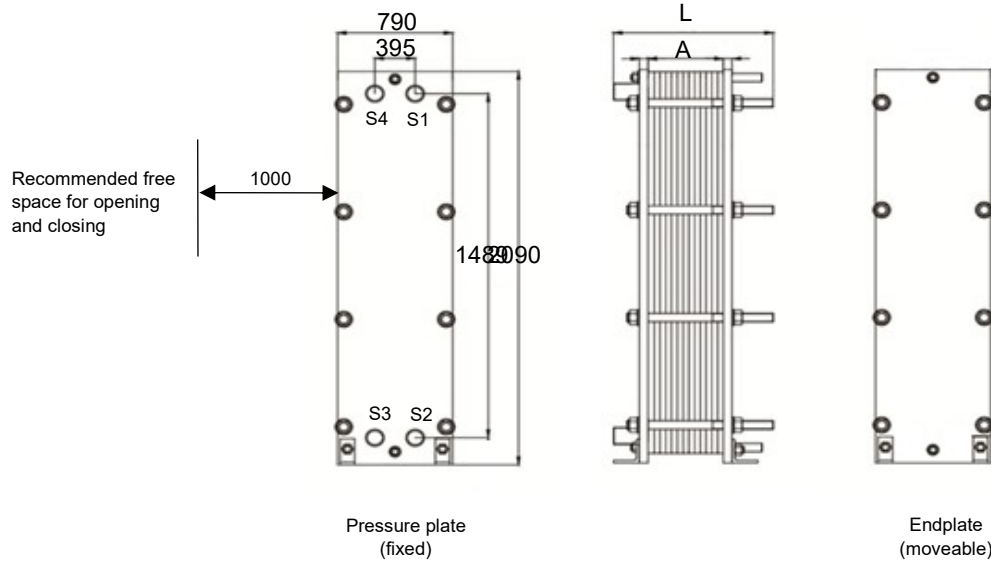
S1 to S4: Connections on front (fixed mount)
T1 to T4: Connections on the rear panel (mobile frame)
S: standard - A: other possibility

Insulation

Shell material	: Galvanized metal
Insulation material	: Rockwool
Thickness	: 30 mm
Thermal conductivity	: 0,043 W/mK
Maximum temperature	: 200°C



SAFEPLATE MV98



All dimensions in mm.
Changes reserved without prior notice.

Type	Max. number of plates (0,5 mm)	L [mm]	Max. working temperature	Max. working pressure	Connections	Materials
MV98	250	600 - 6000	115°C (NBR) 160°C (EpdM)	10, 16, 25 bar	DN200 studded DN200 lined	AISI304 AISI316 (standard) Titanium

* The A-measure depends on the number of plates and will be given at delivery.

Position of connections

Number of passes		Circuit 1		Circuit 2	
		In	Out	In	Out
1 pass/1pass	S	S4	S1	S2	S3
	A	S1	S4	S3	S2
Pair	S	T3	S4	S3	T4
	A	S4	T3	T4	S3
Odd	S	T3	S1	S2	T4
	A	S1	T3	T4	S2

S1 to S4: Connections on front (fixed mount)
T1 to T4: Connections on the rear panel (mobile frame)
S: standard - A: other possibility

Insulation

Shell material : Galvanized metal
 Insulation material : Rockwool
 Thickness : 30 mm
 Thermal conductivity : 0,043 W/mK
 Maximum temperature : 200°C

